

The MJP Ultrajet range excels where high bollard pull and exceptional acceleration is a specified craft requirement and boat speed must not be sacrificed to achieve this.

## MJP Ultrajet 377



Lloyds ISO9001 approved

### Features & Benefits

- Light weight and compact design with a variety of jet mounted hydraulic control systems to minimise installation time
- High propulsive efficiency and mid-range thrust for improved cruising speed and economy
- Superior manoeuvrability. Ability to accelerate quickly, reverse, stop, rotate, hold station and move sideways/ easier docking
- Excellent resistance to cavitation in displacement craft – superior thrust at low boat speeds compared to other waterjet systems
- Lower vibration and noise levels than other propulsion methods
- MJP Ultrajet Joystick Control Systems mean complex craft manoeuvres are easier for the operator. Simple to fit – supplied as plug and play
- Wide range of Marine Jet Power developed mechanical and electro-hydraulic control systems available across the complete MJP Ultrajet range
- Standard rubber impeller shaft bearing or optional composite bearing if dry running is required or operation in aggressive water conditions

### Description

MJP Ultrajet 377 with a 375mm (14.8") diameter impeller provides higher thrust per horsepower and can be used with engines up to 634 kW.

The MJP Ultrajet 377 incorporates an efficient and robust axial flow pump unit utilising four or five blade impellers to match the specified engine power at a range of input speeds. MJP Ultrajet drives have been developed for commercial, pleasure and military craft.

The MJP Ultrajet 377 can be supplied with a full range of both hydro-mechanical and electro-hydraulic steering and reverse control systems.

### Planing Craft (above 25 knots)

Maximum input power 634 kW (850 bhp)

Single jet up to 12 tonnes (26,448 lb.)

Twin jets up to 26 tonnes (57,304 lb.)

Triple jets up to 42 tonnes (92,568 lb.)

### Displacement Craft (below 15 knots)

Maximum input power 280 kW (375 bhp)

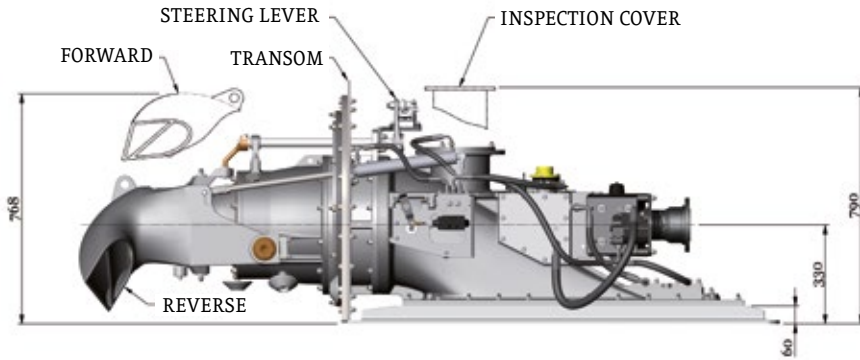
Single jet up to 20 tonnes (44,080 lb.)

Twin jets up to 45 tonnes (99,180 lb.)

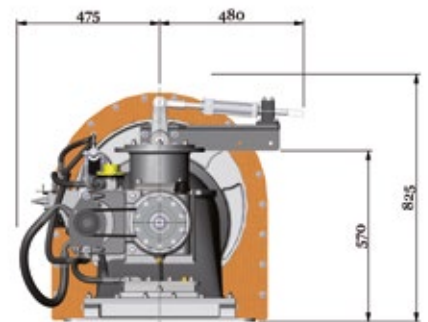
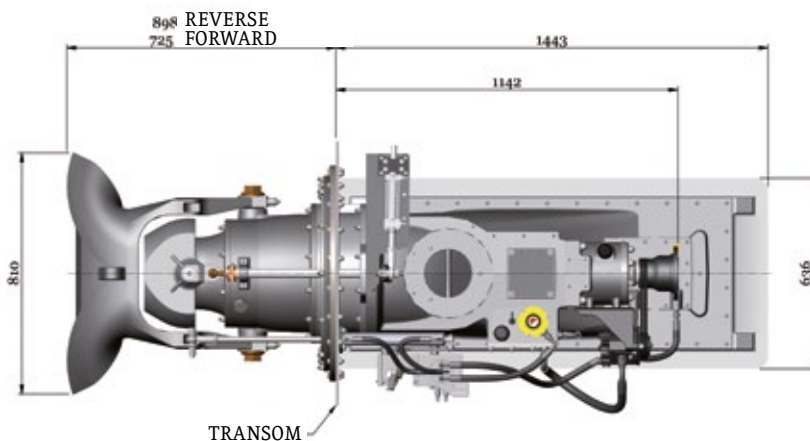
Triple jets up to 90 tonnes (198,360 lb.)

Note: The displacement figures above can often be exceeded on good hull shapes.

## MJP Ultrajet 377



OUTBOARD VIEW OF MJP ULTRAJET UNIT



INBOARD VIEW OF MJP ULTRAJET UNIT

### Typical Specifications:

1. Impellers are available to match most diesel engine and transmission combinations for optimum thrust performance.
2. DIN, SAE or other drive flange options are available.
3. Unit weight 389 kg (856 lb.) dry (including hydraulic system and control valves) or 471 kg (1036 lb.) including entrained water.
4. Consult Marine Jet Power Technical Department for vessel and performance analysis.

We have a policy of continuous improvement in design. Specifications may, therefore, be changed without notice. When considering applications for this equipment it is recommended that our Technical Sales Department is consulted.

Marine Jet Power AB  
Hansellsgatan 6  
SE 754 50 Uppsala  
Sweden  
Tel: +46 (0)10 165 10 00

Marine Jet Power Limited  
Upperfield Rd, Cheltenham  
Glos GL51 9NY  
England  
Tel: +44 (0)1242 707 900

Marine Jet Power Inc.  
6740 Commerce Court Drive  
Blacklick, OH 43004-9200  
USA  
Tel: +1 (614) 759 90 00

Marine Jet Power Pte. Ltd  
3 International Business Park  
#04-27 Nordic European Centre  
Singapore 609927  
Tel: +65 (0) 9641 3142