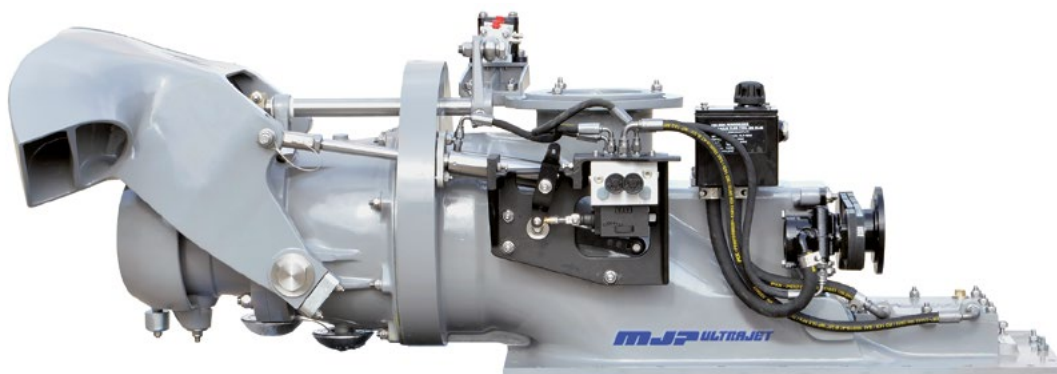


The MJP Ultrajet range excels where high bollard pull and exceptional acceleration is a specified craft requirement and boat speed must not be sacrificed to achieve this.

MJP Ultrajet 305



Lloyds ISO9001 approved

Features & Benefits

- Low profile for lower decks and hydrodynamic intake housing
- Higher inspection cover to prevent overflow
- Improved reversing with new reverse deflector
- Inboard hydraulic cylinder for reverse deflector operation
- Sealed drive bearings for reduced maintenance
- Less static hull immersion required for initial priming
- Wide range of MJP-developed mechanical and electrical reversing controls
- Standard rubber impeller shaft bearing or optional composite bearing if dry running is required
- Light weight and compact design with a variety of on jet and remote mounted hydraulic control systems
- High propulsive efficiency
- Superior manoeuvrability. Ability to accelerate quickly, reverse, stop, rotate, hold station and move sideways for ease of docking
- Excellent resistance to cavitation in displacement craft - high thrust at low speed
- Lower vibration and noise levels than other propulsion methods

Description

MJP Ultrajet 305 with a 305 mm (12") diameter impeller provides higher thrust per horsepower when matched to modern engines in the 224–336 kW range. The MJP Ultrajet 305 is one of a range of high performance MJP Ultrajet drives developed for commercial, pleasure and military craft.

Single stage design utilising four or five bladed impellers to match the specified engine power at a range of input speeds.

The MJP Ultrajet 305 is derived from the Ultra and Dowty jet drive range used in military and commercial applications for almost forty years. The MJP Ultrajet 305 incorporates an efficient and robust axial flow pump, reverse and steering controls, and has many of the same design features as used in the current MJP Ultrajet range.

Planing Craft

Maximum input power 336 kW (450 bhp)

Single jets up to 6 tonnes (13,224 lb.)

Twin jets up to 13 tonnes (28,652 lb.)

Triple jets up to 22 tonnes (48,488 lb.)

Displacement Craft

Maximum input power 224 kW (300 bhp)

Single jet up to 10 tonnes (22,040 lb.)

Twin jets up to 22 tonnes (48,488 lb.)

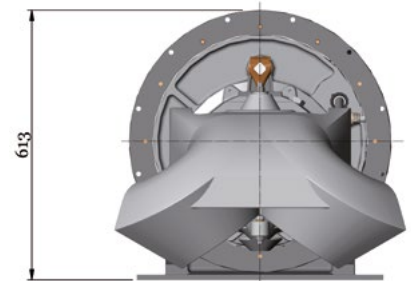
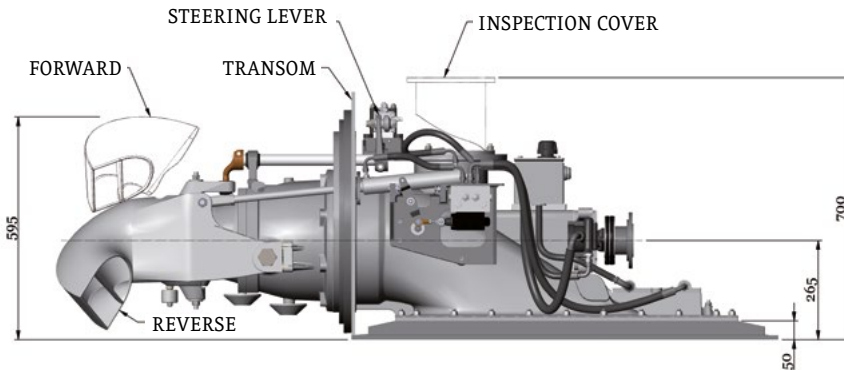
Triple jets up to 35 tonnes (77,140 lb.)

Note: the displacement figures above can often be exceeded on good hull shapes.

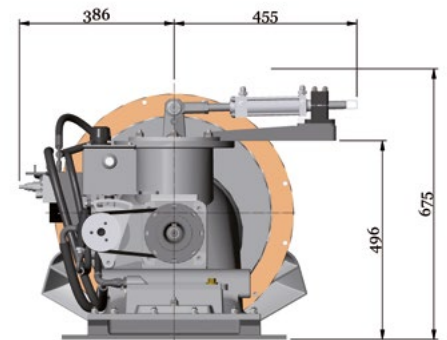
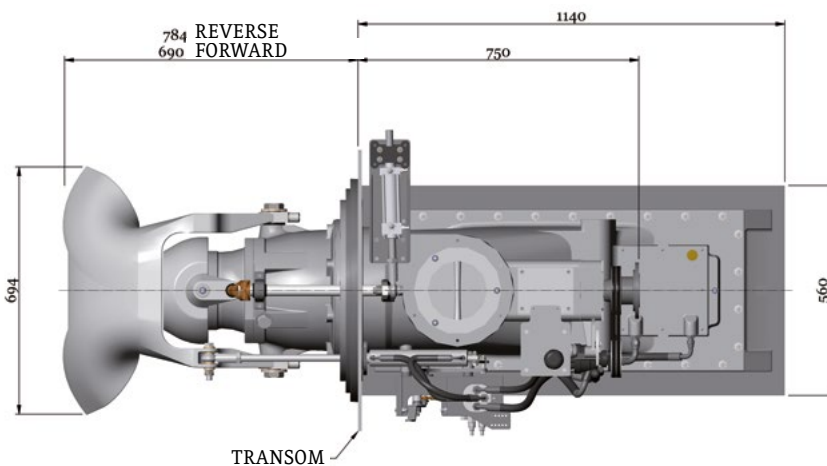
A force to trust

MJP
MARINE JET POWER

MJP Ultrajet 305



OUTBOARD VIEW OF MJP ULTRAJET UNIT



INBOARD VIEW OF MJP ULTRAJET UNIT

Typical Specifications:

1. Impellers are available to match most diesel and gasoline engine and transmission combinations for optimum thrust performance.
2. DIN, SAE or other drive flange options can be supplied.
3. Unit weight 187 kg (412 lbs) dry or 219 kg (482 lbs) including entrained water. (For guideline only - if a detailed weight analysis is required please contact our Technical Department).
4. Consult Marine Jet Power Technical Department for vessel and performance analysis.

We have a policy of continuous improvement in design. Specifications may, therefore, be changed without notice. When considering applications for this equipment it is recommended that our Technical Sales Department is consulted.

Marine Jet Power AB
Hanselligatan 6
SE 754 50 Uppsala
Sweden
Tel: +46 (0)10 165 10 00

Marine Jet Power Inc.
6740 Commerce Court Drive
Blacklick, OH 43004-9200
USA
Tel: +1 (614) 759 90 00

Marine Jet Power Korea Co. Ltd
#C-809
Centumdong-Ro 123
Haeundae-Gu
Busan 48050 Korea