

MJP Podjet offers superior thrust and this way excellent swimming capabilities for amphibious vehicles. Proven compact construction means minimum maintenance requirements and low life-cycle-cost.

MJP Podjet



Features & Benefits

- High vehicle swimming speeds
- High thrust at low speeds in the water
- Superior manouverability at all speeds
- Reduced risk of damage
- Low operating and maintenance costs
- Conforms to ISO 9001
- Suitable for mechanical and hydraulic drive

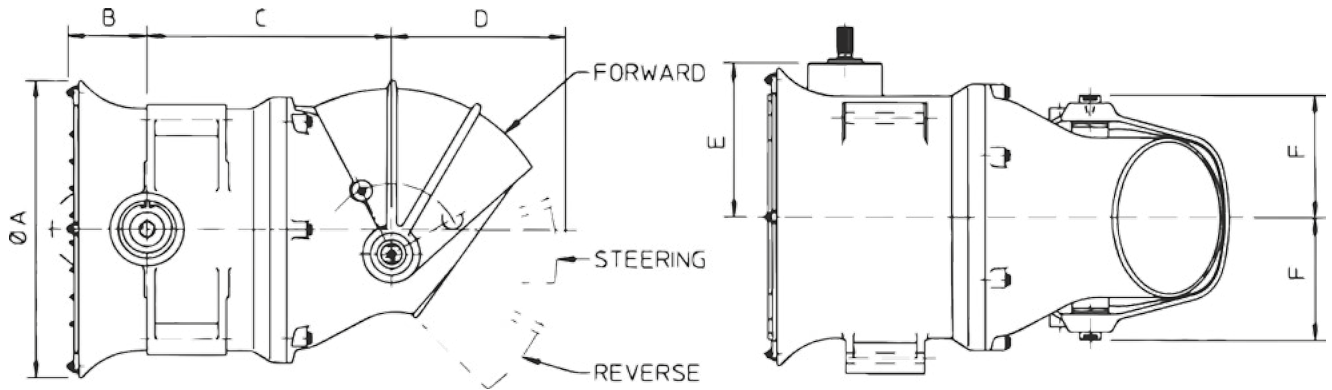
MJP's waterjet propulsion systems are supported by an unrivalled background of design, development and application experience in this specialised field, with the emphasis on high thrust capability. MJP Podjets provide the high thrust necessary for amphibious vehicles to maintain directional control when traversing flowing rivers, exceptional manouverability, ability to hold station in currents and are steerable when reversing in water.

Integrated lever or electronic-hydraulic controls are available for forward, neutral, reverse and steering control of the vehicle.



A force to trust

MJP
MARINE JET POWER



SIZE	kW	A (mm)	B (mm)	C (mm)	D (mm)	E (mm)	F (mm)	Weight (kg)
250	50	324	56	264	190	200	135	22
330	90	378	83	343,4	241	240	176	43
440	150	575	150	465	335	295	235	102



Marine Jet Power AB
Hansellisgatan 6
SE 754 50 Uppsala
Sweden
Tel: +46 (0)10 165 10 00

Marine Jet Power Inc.
6740 Commerce Court Drive
Blacklick, OH 43004-9200
USA
Tel: +1 (614) 759 90 00

Marine Jet Power Korea Co. Ltd
#C-809
Centumdong-Ro 123
Haeundae-Gu
Busan 48050 Korea